

PRO250 electric lifter

User friendly control panel

- emergency stop
- service indicator
- battery status display

Hand control

Detachable for optimal ergonomic steering.

SmartPack

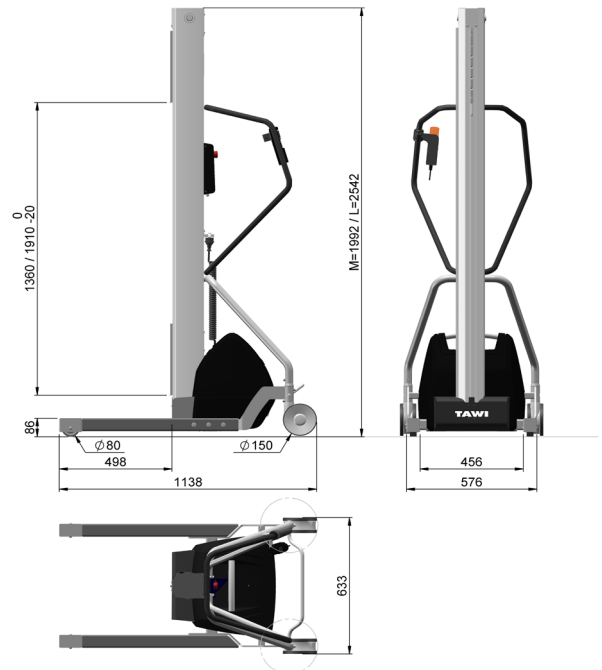
Easily switch the battery pack to extend runtime through multiple shifts.

- Flexible solution for lifting and transporting everything from reels to boxes in an ergonomic and efficient manner.
- Available in two mast sizes; M and L.
- The lifter is available in stainless steel, equipped with a white FDA approved cover, ideal for food manufacturing and pharmaceutical industry
- SafeDrive ensures that if a tool hits an object during lowering, it will stop immediately.
- The lifter is belt driven, resulting in safe, quiet and smooth oil free drive.
- With our wide selection of tools and accessories, the PRO250 can be optimized for your needs. Standard tools and accessories are presented on the following pages.

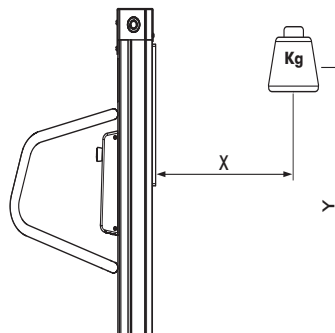
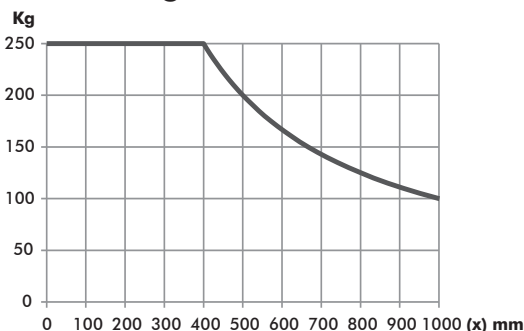
Contact your sales representative for bespoke solutions.

Technical specifications

Description	Specifications
Item No: PRO250M / PRO250L PRO250MSS / PRO250LSS	4200899 / 4200903 4200901 / 4200905
Specification No: PRO250M / PRO250L PRO250MSS / PRO250LSS	89510 / 89520 89515 / 89525
Lifting capacity	250 kg
Stroke	1360 / 1910 mm
Weight of unit	107 / 113 kg
Total height of unit	1990 / 2540 mm
Battery charger	100-240V, grounded 50-60 Hz
Battery	2x12V 17Ah
Watt	80 W
Lifts per charge	250 kg x 1m x 100 times
Up and down motions	Hand control (two speed)
Front wheels	Fixed
Brake system	Central brake with directional lock
Overload protection	Incorporated in circuit load
IP-rating	IP24
Lifting speed fast/slow	0,1m/s / 0,05m/s
Adjustable legs	Width adjustable by 150 mm per leg



Load diagram



TAWI

All measures are LxWxH

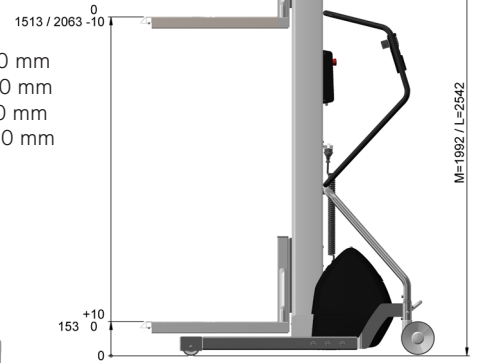
Tools

Platform

Safely lift and transport goods of varying sizes with this robust platform mounted on your PRO250.

! The platform can be mounted ± 100 mm from position in drawing.

- Item No: 4201010 / Spec. No: 895610 ss surface, 600x400 mm
- Item No: 4201011 / Spec. No: 895611 alu surface, 600x400 mm
- Item No: 4201012 / Spec. No: 895612 ss surface, 600x600 mm
- Item No: 4201013 / Spec. No: 895613 alu surface, 600x600 mm



A2 = Stainless steel
FZB = Zincified mild steel

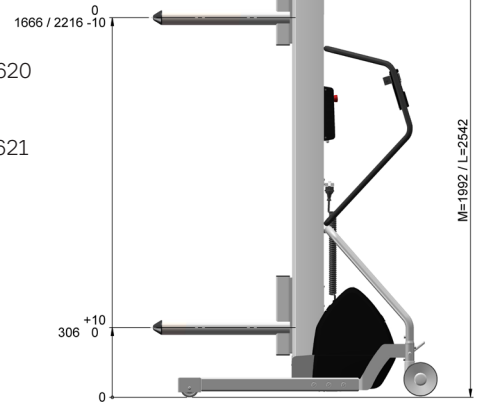


Boom

Lift and transport reels onto shafts and machines without effort with this ergonomic boom tool.

Item No: 4201014 / Spec. No: 895620
 $\text{\O}63,5 \times 500$ mm

Item No: 4201015 / Spec. No: 895621
 $\text{\O}63,5 \times 1000$ mm



All measures are LxWxH



Roller boom


This boom is equipped with rollers for effortless loading and unloading of reels. The safety pin holds the reel in place and ensures safe transport. The pin is automatically released when the boom hits an object.

Item No: 4201016 / Spec. No: 895622
Handles reels up to 600 mm

ext A2 int FZB max 250 kg



1676 / 2226 -10
316 +10 / 0
M=1992 / L=2542



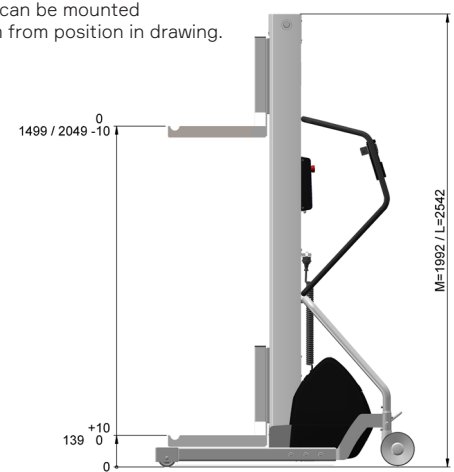
Axle fork

With this tool, reels on axle are easily gripped and lifted. The reel rests safely on the forks during transport.

Item No: 4201017 / Spec. No: 895632
Size 340x500 mm
Handling reels up to Ø600x500 mm

A2 max 250 kg

! The fork can be mounted ±100 mm from position in drawing.



1499 / 2049 -10
139 +10 / 0
M=1992 / L=2542

All measures are LxWxH

Ergonomic

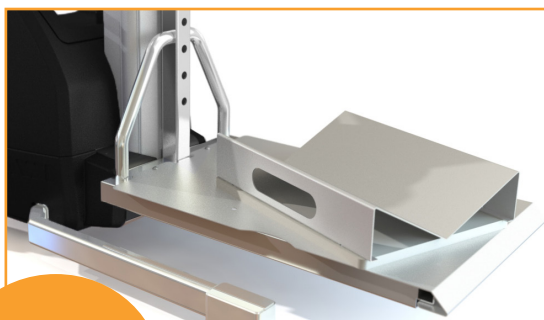
Accessories



QuickLoad

This feature for smooth and precise positioning of load saves valuable time and effort for the operator. Positioning is conveniently controlled with the detachable hand control.

Item No: 4203887
Spec. No: 890500



V-block with rotation plate

A v-block on your platform is a flexible and cost efficient solution for handling all types of reels. The rotation plate is suitable for all stainless steel platforms and enables effortless rotation of the v-block. The v-block can also be used without rotation plate.

Rotation plate Item No: 4200953 Spec. No: 890640
V-block Item No: 4200954 / Spec. No: 890641,
block length 380 mm, for reels up to Ø600 mm

Efficient



Quick coupling

With a quick coupling, switching between different tools is quick and simple, for efficient handling of various goods.

Sleigh half Item No: 4201020 / Spec. No: 895691
Tool half Item No: 4201021 / Spec. No: 895692

SmartPack

Extend working hours with a detachable battery pack including charger.

Art. 895400

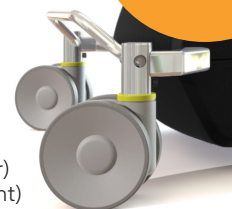


Safe

ESD wheels

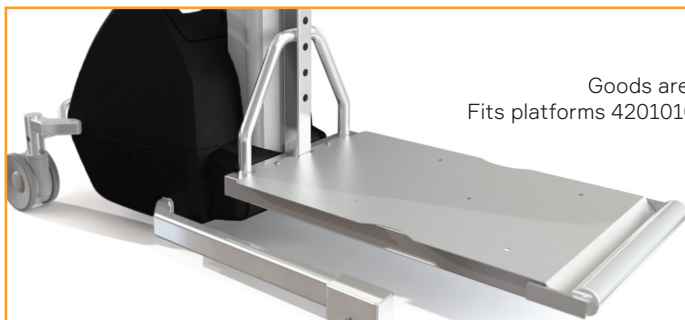
Ensure safety with ESD wheels when electrostatic discharge is not allowed, e.g. in environments where electrical components are assembled.

Item No: 4203905 / Spec. No: 891564 (rear)
Item No: 4203890 / Spec. No: 890562 (front)



Roll kit for platform

Goods are safely rolled onto the lifter with a roll kit attached to the platform. Fits platforms 4201010/895610, 4201011/895611, 4201012/895612 and 4201013/895613.



Item No: 4200957 / Spec. No: 890644 steel roll Ø40x400 mm
Item No: 4200958 / Spec. No: 890645 plastic roll Ø40x400 mm
Item No: 4200959 / Spec. No: 890646 steel roll Ø40x600 mm
Item No: 4200960 / Spec. No: 890647 plastic roll Ø40x600 mm