

PRO140 electric lifter

User friendly control panel

- emergency stop
- service indicator
- battery status display

Hand control

Detachable for optimal ergonomic steering.

SmartPack

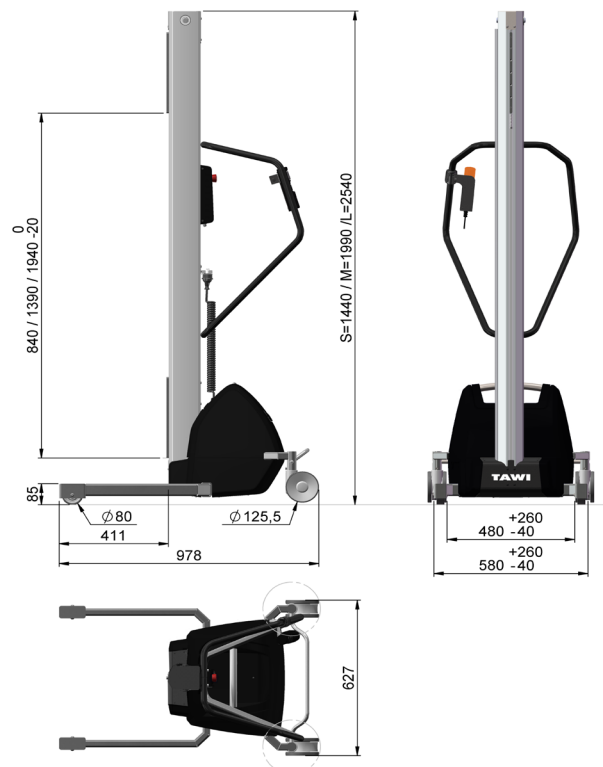
Easily switch the battery pack to extend runtime through multiple shifts.

- Flexible solution for lifting and transporting everything from reels to boxes in an ergonomic and efficient manner.
- Available in three mast sizes; S, M and L.
- The lifter is available in stainless steel, equipped with a white FDA approved cover, ideal for food manufacturing and pharmaceutical industry
- SafeDrive ensures that if a tool hits an object during lowering, it will stop immediately.
- The lifter is belt driven, resulting in safe, quiet and smooth oil free drive.
- With our wide selection of tools and accessories, the PRO140 can be optimized for your needs. Standard tools and accessories are presented on the following pages.

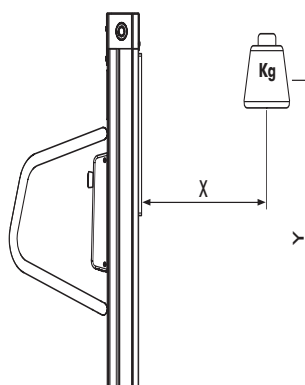
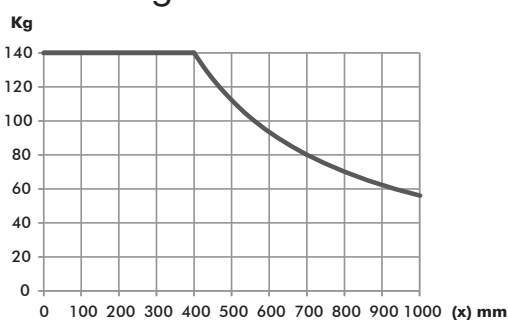
Contact your sales representative for bespoke solutions.

Technical specifications

Description	Specifications
Item No: PRO140S/PRO140M/PRO140L PRO140SSS/PRO140MSS/PRO140LSS	4200867 / 4200871 / 4200875 4200869 / 4200873 / 4200877
Specification No: PRO140S/PRO140M/PRO140L PRO140SSS/PRO140MSS/PRO140LSS	89300 / 89310 / 89320 89305 / 89315 / 89325
Lifting capacity	140 kg
Stroke	840 / 1390 / 1940 mm
Weight of unit	69 / 73 / 78 kg
Total height of unit	1440 / 1990 / 2540 mm
Battery charger	100-240V, grounded 50-60 Hz
Battery	2x12V 17Ah
Watt	80 W
Lifts per charge	140 kg x 1m x 100 times
Up and down motions	Hand control (two speed)
Front wheels	Fixed
Brake system	Central brake with directional lock
Overload protection	Incorporated in circuit load
IP-rating	IP24
Lifting speed fast/slow	0,1m/s / 0,05m/s
Adjustable legs	Width adjustable by 150 mm per leg



Load diagram



TAWI

All measures are LxWxH

Tools

Platform

Safely lift and transport goods of varying sizes with this robust platform mounted on your PRO140.

Item No: 4200987 / Spec. No: 893610 ss surface, 600x400 mm
 Item No: 4200988 / Spec. No: 893611 alu surface, 600x400 mm
 Item No: 4200989 / Spec. No: 893612 ss surface, 600x600 mm
 Item No: 4200990 / Spec. No: 893613 alu surface, 600x600 mm

The platform can be mounted ± 100 mm from position in drawing.

979 / 1529 / 2079 -10

0

+10

139

0

S=1440 / M=1990 / L=2540

A2 = Stainless steel
 FZB = Zincified mild steel



A2 = Stainless steel

FZB = Zincified mild steel

Fold up platform

This fork tool with a foldable stainless steel platform lets you lift boxes and crates with the same tool.

Item No: 4200998 / Spec. No: 893634
 Surface size 500x450 mm
 Fork length 500 mm, ID 370 mm

The platform can be mounted ± 100 mm from position in drawing.

981 / 1531 / 2081 -10

0

+10

141

0

S=1440 / M=1990 / L=2540



Boom

Lift and transport reels onto shafts and machines without effort with this ergonomic boom tool.

Item No: 4200991 / Spec. No: 893620
 $\varnothing 63,5 \times 500$ mm

Item No: 4200992 / Spec. No: 893621
 $\varnothing 63,5 \times 1000$ mm

1142 / 1692 / 2242 -10

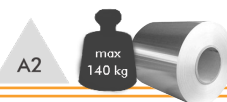
0

+10

302

0

S=1440 / M=1990 / L=2540



Roller boom

This boom is equipped with rollers for effortless loading and unloading of reels. The safety pin holds the reel in place and ensures safe transport. The pin is automatically released when the boom hits an object.

Item No: 4200993 / Spec. No: 893622
 Handles reels up to 600 mm

1147 / 1697 / 2247 -10

0

+10

307

0

S=1440 / M=1990 / L=2540



Crane arm with hook

A crane arm with an adjustable hook is ideal for reaching into narrow spaces, handling machine parts, small drums etc.

Item No: 4200994 / Spec. No: 893623
 Arm length 600 mm

1174 / 1724 / 2274 -10

0

+10

334

0

S=1440 / M=1990 / L=2540



All measures are LxWxH

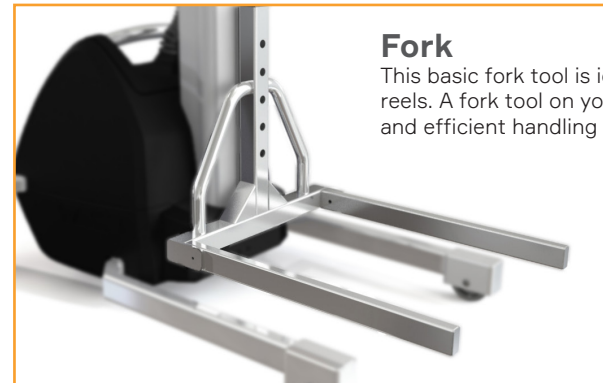


Tube fork
The tube fork provides a cost efficient reel handling solution, handling reels from their outer surface.

Item No: 4200996 / Spec. No: 893631
Fork length 600 mm, C-C 250 mm



A2  

The fork can be mounted ± 100 mm from position in drawing.

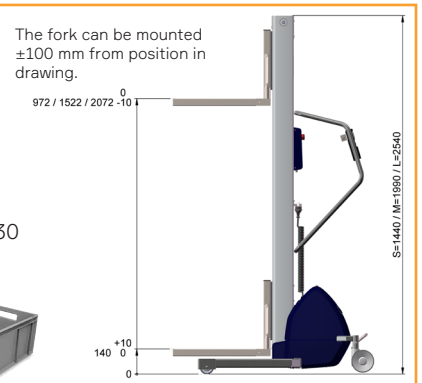




Fork
This basic fork tool is ideal for handling both crates and reels. A fork tool on your PRO140 allows for ergonomic and efficient handling of plastic crates.

Item No: 4200995 / Spec. No: 893630
Fork length 500 mm, ID 370 mm



A2  

The fork can be mounted ± 100 mm from position in drawing.

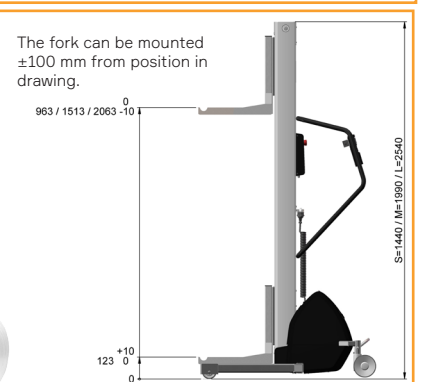



Axle fork
With this tool, reels on axle are easily gripped and lifted. The reel rests safely on the forks during transport.

Item No: 4200997 / Spec. No: 893632
Size 340x500 mm
Handling reels up to $\varnothing 600 \times 500$ mm

A2  

The fork can be mounted ± 100 mm from position in drawing.



The Coregripper is our most flexible reel handling solution!



Coregripper
Handling reels from the core, this highly efficient tool lets you pick up reels from a vertical position and rotate to horizontal position.

Item No: 4200999 / Spec. No: 893650 core $\varnothing 76$
Item No: 4201001 / Spec. No: 893655 core $\varnothing 152$
Handling reels up to $\varnothing 650 \times 600$ mm

ext A2    

1076 / 1626 / 2176 -10
1006 / 1556 / 2106 -10

236 +10
168 +10
0

S=1440 / M=1980 / L=2540



* Maximum load 100 kg with standard legs, 120 kg with +100 mm extended legs.

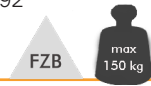
All measures are LxWxH

Ergonomic

Ladder

Fold-up ladder, optimal for pushing goods from the tool onto a shelf. This ergonomic three step ladder can be mounted on both sides of the lifter.

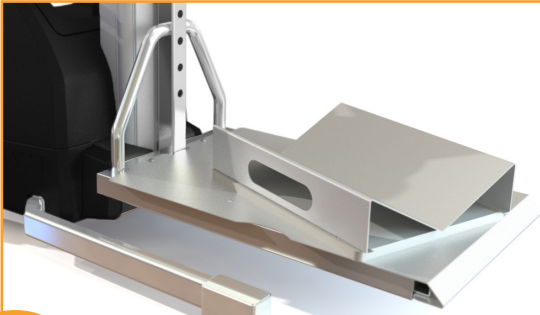
Item No: 4200962
Spec. No: 890692



QuickLoad

This feature for smooth and precise positioning of load saves valuable time and effort for the operator. Positioning is conveniently controlled with the detachable hand control.

Item No: 4203887
Art. 890500



V-block with rotation plate

A v-block on your platform is a flexible and cost efficient solution for handling all types of reels. The rotation plate is suitable for all stainless steel platforms and enables effortless rotation of the v-block. The v-block can also be used without rotation plate.

Rotation plate Item No: 4200953 / Spec. No: 890640
V-block Item No: 4200954 / Spec. No: 890641,
block length 380 mm, for reels up to Ø600 mm

Efficient

Quick coupling

With a quick coupling, switching between different tools is quick and simple, for efficient handling of various goods.

Sleigh half Item No: 4201005 /
Spec. No: 893691,
Tool half Item No: 4201006 /
Spec. No: 893692



SmartPack

Extend working hours with a detachable battery pack including charger.

Item No: 4203955
Spec. No: 893400



Articulating adapter

Enables easy articulation of tools, adding flexibility to your lifter. The adapter can be mounted between all types of tools.

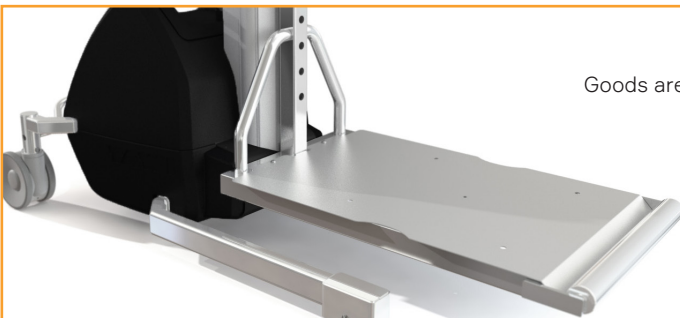
Item No: 4201009
Spec. No: 893697

ESD wheels

Ensure safety with ESD wheels when electrostatic discharge is not allowed, e.g. in environments where electrical components are assembled.

Item No: 4203904 / Spec. No: 891562 (rear)
Item No: 4203890 / Spec. No: 890562 (front)

Safe



Roll kit for platform

Goods are safely rolled onto the lifter with a roll kit attached to the platform. Fits platforms 4200987/893610 and 4200988/893611.

Item No: 4200957 / Spec. No: 890644 steel roll Ø40x400 mm
Item No: 4200958 / Spec. No: 890645 plastic roll Ø40x400 mm
Item No: 4200959 / Spec. No: 890646 steel roll Ø40x600 mm
Item No: 4200960 / Spec. No: 890647 plastic roll Ø40x600 mm